

LED AREA /SHOE BOX/STREET LIGHT

Power:75W-400W, up to1200W replacement, a true smart New Generation LED shoebox light



O T S E R I E S

EASY LIGHT DISTRIBUTION



The oT area luminaire comes standard with field-rotatable optics
Simply rotate the lens and get light distribution in different directions!

SMART DESIGN



1. Space reserved for photocell sensor
2. Space reserved for occupancy sensor with waterproof seal
3. Tool-free maintenance

MECHANICAL

- Designed for commercial and industrial applications, providing cooler operating temperatures, brighter light and longer LED span.
- The housing is made of die-casting aluminum alloy and utilizes external fins ensure greater heat dissipation.
- Anti-corrosion coating.
- Light in Weight: 11lbs for small body and 12lbs for large body.

MOUNTING

- 5 different mounting brackets simplify your installation job, make installation to any style of pole quicker and easier.
- Customized pole adapters available for special installation. Consult AOK for details.

CERTIFICATES

- AOK oT area luminaires have been tested by UL authorized lab in accordance with IESNA LM-79 & LM-80.
- Listed to UL 1598 and UL 8750, UL File number: E497331.
- FCC certified.
- DLC Premium qualified, eligible for rebates.
- Suitable for wet locations.

SERVICE

- Consult AOK for luminosity modeling / lighting simulation.

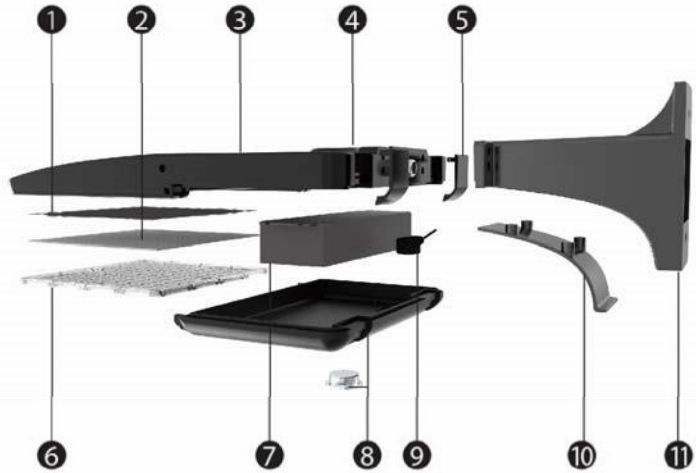
TECHNICAL SPECIFICATIONS

MODEL	WATTS	Replace MHL (170LPW)	LUMEN OUTPUT	FIXTURE DIMENSION	NW	IP & IK
75WoT	75W	300W	13121	23*11*2.2" (585*270*56mm)	11lbs (4.8kg)	IP66&IK08
115WoT	115W	400W	18689	23*11*2.2" (585*270*56mm)	11lbs (4.8kg)	
145WoT	145W	500W	24699	23*11*2.2" (585*270*56mm)	11lbs (4.8kg)	
180WoT	180W	600W	30870	26.7*14*2.2" (679*350*56mm)	12lbs (5.5kg)	
200WoT	200W	750W	33012	26.7*14*2.2" (679*350*56mm)	12lbs (5.5kg)	
230WoT	230W	850W	36162	26.7*14*2.2" (679*350*56mm)	12lbs (5.5kg)	
300WoT	300W	1000W	42000	30*14*3.0" (740*360*75mm)	16.53lbs (7.5kg)	
400WoT	400W	1200W	56000	30*14*3.0" (740*360*75mm)	16.53lbs (7.5kg)	

MODEL	WATTS	Replace MHL (130LPW)	LUMEN OUTPUT	FIXTURE DIMENSION	NW	IP & IK
75WoT	75W	200W	10764	23*11*2.2" (585*270*56mm)	11lbs (4.8kg)	IP66&IK08
115WoT	115W	300W	15066	23*11*2.2" (585*270*56mm)	11lbs (4.8kg)	
145WoT	145W	400W	19522	23*11*2.2" (585*270*56mm)	11lbs (4.8kg)	
180WoT	180W	500W	25648	26.7*14*2.2" (679*350*56mm)	12lbs (5.5kg)	
200WoT	200W	600W	28058	26.7*14*2.2" (679*350*56mm)	12lbs (5.5kg)	
230WoT	230W	750W	31123	26.7*14*2.2" (679*350*56mm)	12lbs (5.5kg)	
250WoT	250W	1000W	32500	26.7*14*2.2" (679*350*56mm)	12lbs (5.5kg)	
300WoT	300W	850W	39000	30*14*3.0" (740*360*75mm)	16.53lbs (7.5kg)	
400WoT	400W	1000W	52000	30*14*3.0" (740*360*75mm)	16.53lbs (7.5kg)	

CONSTRUCTION FEATURES

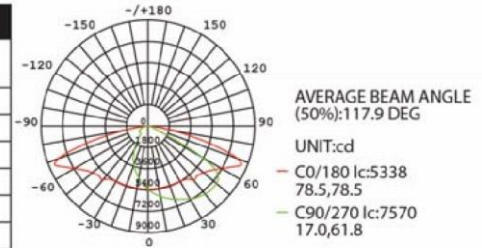
1. Super efficient heat dissipation layer
 2. Light source: PCB board with LEDs
 3. Die casting aluminum unibody main housing, IP66
 4. Space for 5/7 pin receptacle upgradable for photo-cell sensor and smart systems
 5. Tool free buckle to driver access panel
 6. Optical grade rotatable PC lens Type III / IV / V
 7. Top level 1-10V dimmable driver 100-277V / 347V / 480V optional
 8. Tool free driver access panel with space reserved for occupancy sensor covered by removable cap fits with Wattstopper FSP sensor
 9. Surge protection device
 10. Bracket access panel for wiring
 11. Exchangable bracket fits round / square pole.
- Other brackets optional such as yoke, trunnion, etc



PHOTOMETRY

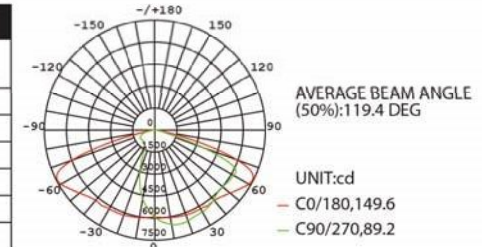
TYPE III MEDIUM DISTRIBUTION (160-170LM/W)

Wattage		3000K/70CRI	4000K/70CRI	5000K/70CRI	5700K/70CRI
	BUG Rating	Initial Delivered Lumens	Initial Delivered Lumens	Initial Delivered Lumens	Initial Delivered Lumens
75W	B2-U1-G2	12876	12998	13121	13182
115W	B3-U0-G2	18375	18532	18689	18767
145W	B3-U0-G3	24018	24358	24699	24869
180W	B3-U0-G3	29970	30420	30870	31096
200W	B4-U0-G3	32092	32552	33012	33243
230W	B4-U0-G3	35182	35672	36162	36408



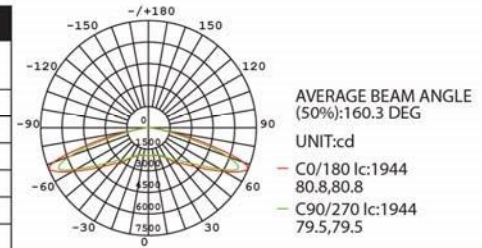
TYPE IV MEDIUM DISTRIBUTION (160-170LM/W)

Wattage		3000K/70CRI	4000K/70CRI	5000K/70CRI	5700K/70CRI
	BUG Rating	Initial Delivered Lumens	Initial Delivered Lumens	Initial Delivered Lumens	Initial Delivered Lumens
75W	B3-U0-G2	12876	12998	13121	13182
115W	B3-U0-G3	18375	18532	18689	18767
145W	B3-U0-G3	24018	24358	24699	24869
180W	B3-U0-G4	29970	30420	30870	31096
200W	B4-U0-G4	32092	32552	33012	33243
230W	B4-U0-G4	35182	35672	36162	36408



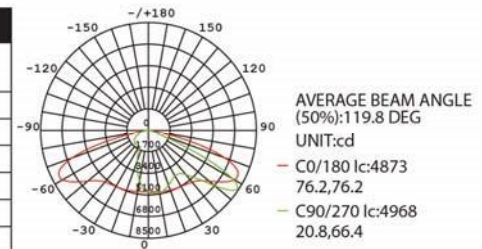
TYPE V MEDIUM DISTRIBUTION (160-170LM/W)

Wattage		3000K/70CRI	4000K/70CRI	5000K/70CRI	5700K/70CRI
	BUG Rating	Initial Delivered Lumens	Initial Delivered Lumens	Initial Delivered Lumens	Initial Delivered Lumens
75W	B4-U0-G2	12876	12998	13121	13182
115W	B4-U0-G2	18375	18532	18689	18767
145W	B5-U0-G3	24018	24358	24699	24869
180W	B5-U0-G4	29970	30420	30870	31096
200W	B5-U0-G4	32092	32552	33012	33243
230W	B5-U0-G4	35182	35672	36162	36408



TYPE III MEDIUM DISTRIBUTION (130-140LM/W)

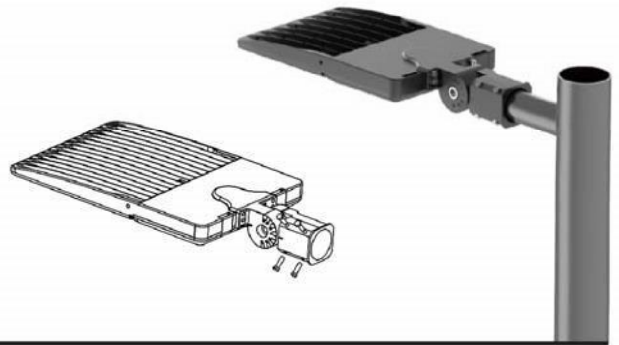
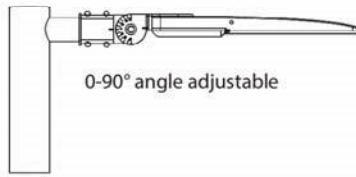
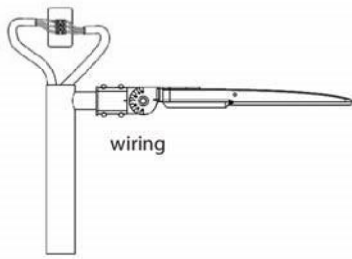
Wattage		3000K/70CRI	4000K/70CRI	5000K/70CRI	5700K/70CRI
	BUG Rating	Initial Delivered Lumens	Initial Delivered Lumens	Initial Delivered Lumens	Initial Delivered Lumens
75W	B2-U1-G2	10425	10650	10764	10875
115W	B3-U0-G3	14720	14950	15066	15180
145W	B3-U0-G3	18560	19140	19522	19575
180W	B3-U0-G3	23040	25200	25648	26100
200W	B3-U0-G3	25600	27000	28058	28000
230W	B3-U3-G3	29440	29900	31123	31280



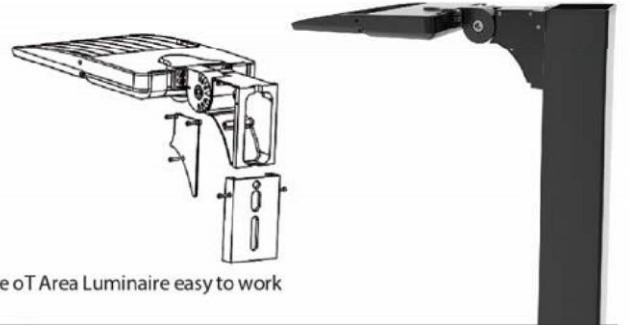
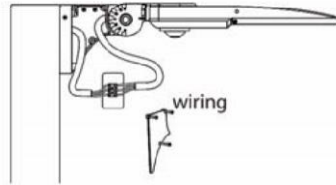
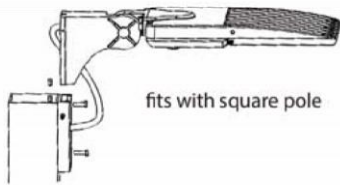
All published Luminaire photometric testing performed to IESNA LM-79-08 standards by a NVLAP accredited Laboratory.

ACCESSORIES: ORDER SEPARATELY

Type A - Slip Fitter

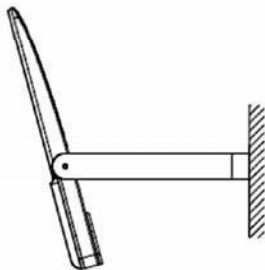
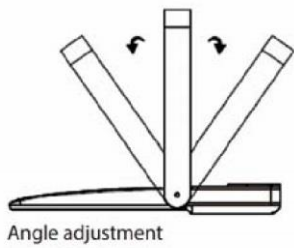


Type B - Adjustable Arm Mount



Designed for easy installation Simple, single-person installation is the key to, making the oT Area Luminaire easy to work with, no matter the job site.

Type C - U Shape Bracket



Type E/F - Direct Arm Mount (For Square / Round poles)

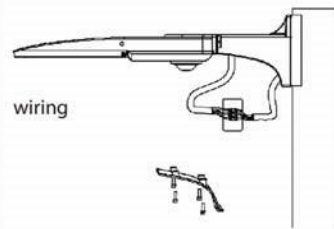
for round pole



for round pole



wiring



ACCESSORIES: ORDER SEPARATELY

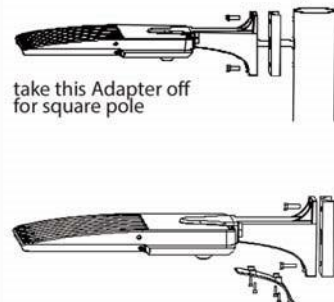
- Type A Slipfitter
- Type B Adjustable Arm Mount
- Type C Trunnion Mount



- Type E Square Pole Mount
- Type F Round Pole Mount



take this Adapter off for square pole



Every AOK OT LED area product comes with integral universal mounting, which allows the luminaire to mount to virtually any existing drill hole pattern on either square or round poles.